

**VETTER-ERGOLINE**<sup>®</sup>

The ergonomic workplace crane system



*VETTER - Lifts and moves.*

# ALUMINIUM MEETS STEEL

## Ergonomics newly conceived

Handling of loads up to 1,000 kg. Smooth operation and stability cleverly combined. Unprecedented ease of use. This is our VETTER ErgoLine® system. The gimballed, integrated VETTER trolley system is an innovation. Thanks to the perfect force transmission, it sets standards regarding ease of use. The VETTER ErgoLine® system is a true all-rounder among the workplace crane systems.

### VETTER REINFORCING PROFILE

The VETTER reinforcing profile strengthens and stabilises the aluminium profiles and allows for higher spans and field lengths.

### ADJUSTABLE CANTILEVER

The ErgoLine® system by VETTER is in modular design. The continuously adjustable cantilevers are quickly mounted to the supports and provide for easy installation without any efforts.

### DIAGONAL SUPPORTS

The diagonal supports of the VETTER ErgoLine® system reinforce the structure providing utmost stability (required as from a total height of 4,300 mm).

### HEIGHT-ADJUSTABLE SUPPORTS

No matter how high – our flexible, universally adjustable supports provide for quick delivery and easy commissioning of the ErgoLine® system on the spot.

### CROSS BRACING

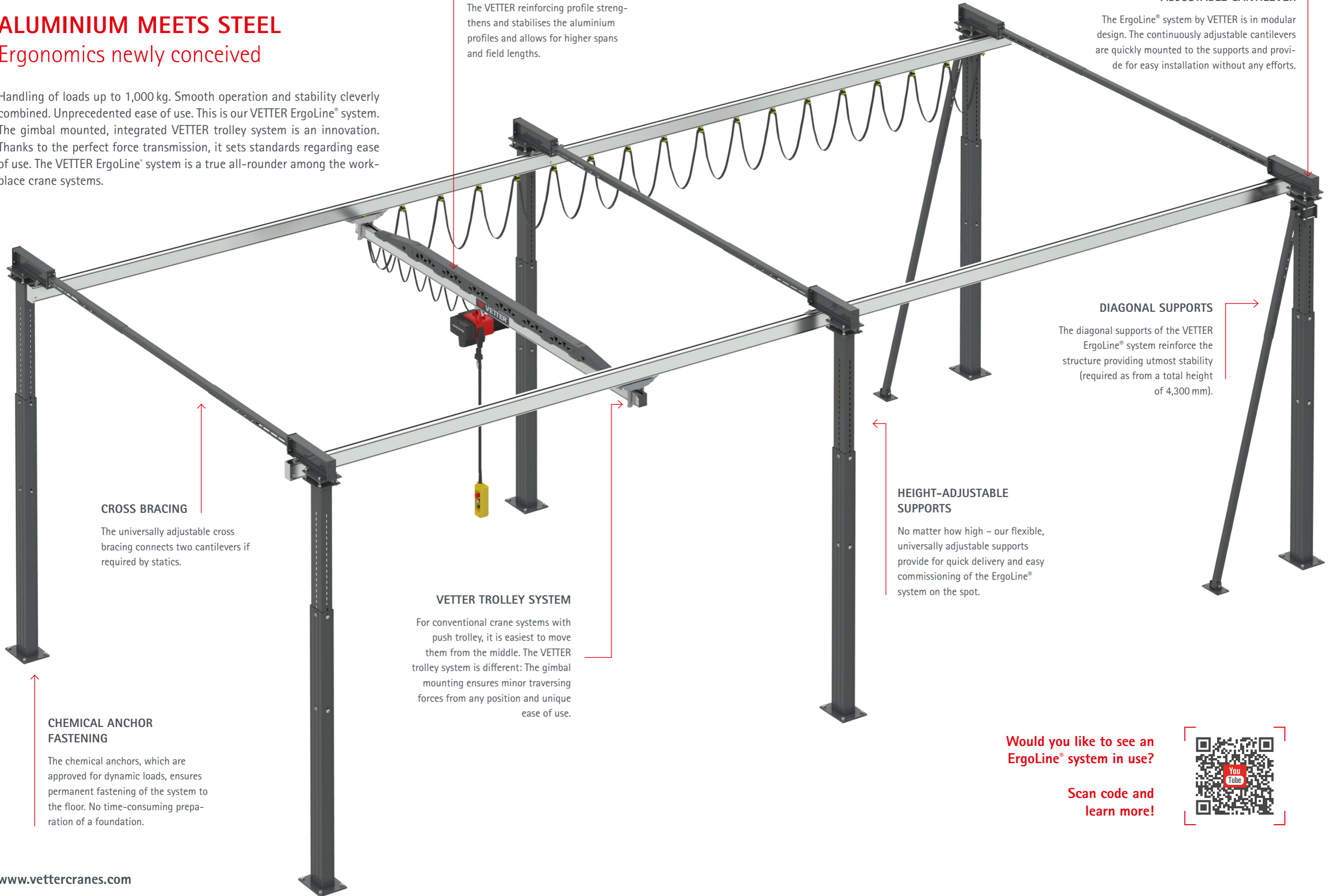
The universally adjustable cross bracing connects two cantilevers if required by statics.

### VETTER TROLLEY SYSTEM

For conventional crane systems with push trolley, it is easiest to move them from the middle. The VETTER trolley system is different: The gimballed mounting ensures minor traversing forces from any position and unique ease of use.

### CHEMICAL ANCHOR FASTENING

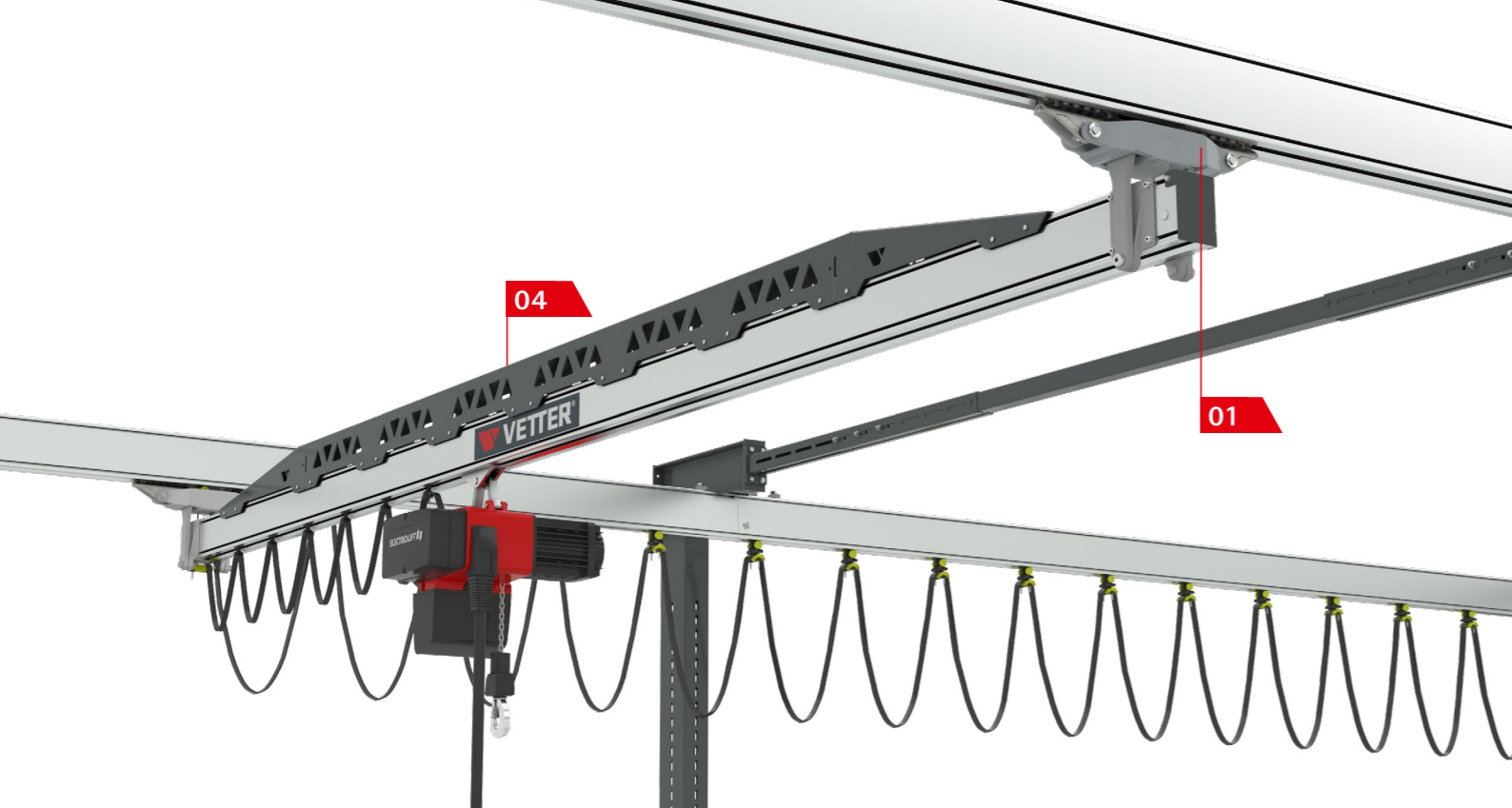
The chemical anchors, which are approved for dynamic loads, ensures permanent fastening of the system to the floor. No time-consuming preparation of a foundation.



Would you like to see an ErgoLine® system in use?

Scan code and learn more!



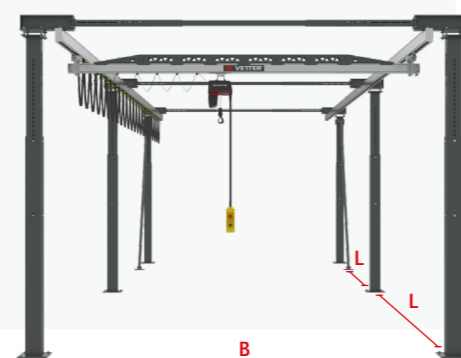


## ADVANTAGES

- + Static load of hall is not affected
- + Crane rail length and span can be adjusted to the local conditions
- + Gimbal mounting for degrees of freedom in all directions and outstanding ergonomics
- + Ideally suited for linking several workplaces
- + Unprecedented ease of use through precise control of the end position
- + High-quality coating
- + Small footprint
- + Easy-inside-running trolley with incomparable handling and optimal traversing forces
- + Pillar height is adjustable

L B in m	3	4	5	6	7	7,5	8	8,5	9	9,5	10
80 kg	●	●	●	●	●	●	●	●	●	●	●
125 kg	●	●	●	●	●	●	●	●	●	●	●
250 kg	●	●	●	●	●	●	●	●	●	●	●
320 kg	●	●	●	●	●	●	●	●	●	●	●
500 kg	●	●	●	●	●	●	●	●	●	●	●
630 kg	●	●	●	●	●	●	●	●	●	●	●
800 kg	●	●	●	●	●	●	●	●	●	●	●
1.000 kg	●	●	●	●	●	●	●	●	●	●	●

- KEY DATA**
- Capacities up to 1,000 kg
  - Spans up to 10 m
  - Field lengths up to 10 m



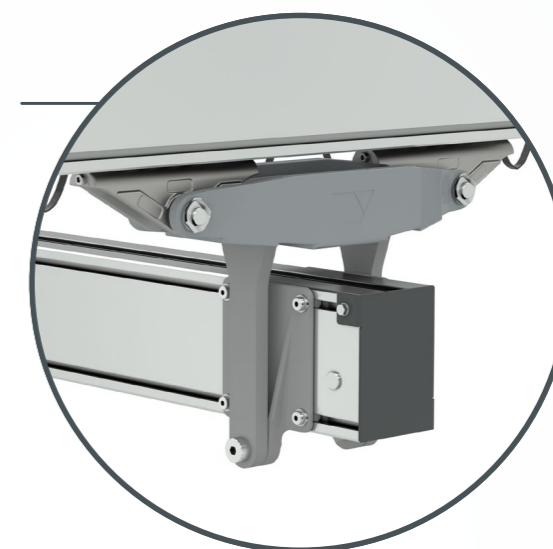
## HIGHLIGHTS

### Technical specification

#### 01

##### VETTER TROLLEY SYSTEM

- The gimballed trolley can be rotated by approx. 30° around X and Z axes.
- The gimbal mounting ensures minor traversing forces from any position. The suspension hook of the crane beam is mounted in a ball element and can be pivoted. The crane beam itself is mounted by means of bolts. This is how degrees of freedom in all directions are given.



#### 02

##### ADJUSTABLE CANTILEVER

- Exact adjustment of the crane runway by calibration between cantilever arm and pillar (±15 mm)
- Adapter plate prepared for cross brace

#### 03

##### HEIGHT-ADJUSTABLE SUPPORTS

- Construction height adjustable from 3,000 to 5,400 mm in steps of 60 mm.
- Local differences in height can be compensated easily.
- During transport less loading space is required since the supports will be adjusted to the required length only on the spot.

#### 04

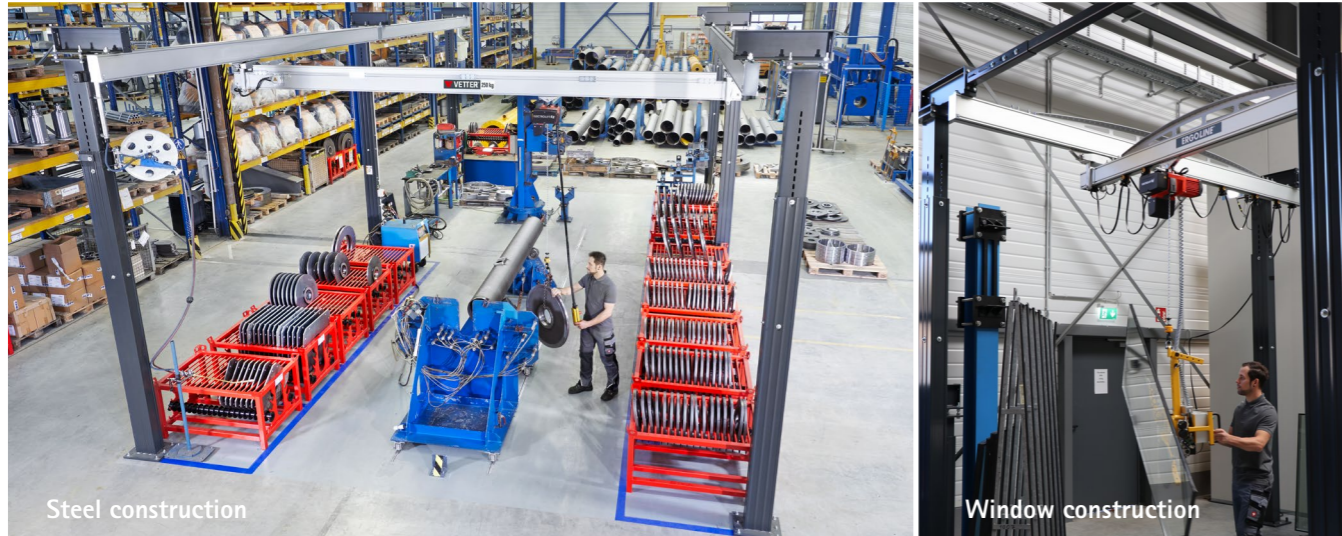
##### VETTER REINFORCING PROFILE

- Thanks to the combination of an aluminium profile with the VETTER reinforcing profile made of steel, the system features higher capacities and spans while being smaller in height.
- The VETTER reinforcing profile is necessary when certain parameters are exceeded. In case of combinations with smaller capacities/spans, the unreinforced profile is sufficient.
- Existing systems can be retrofitted to cover higher capacities and/or larger spans.



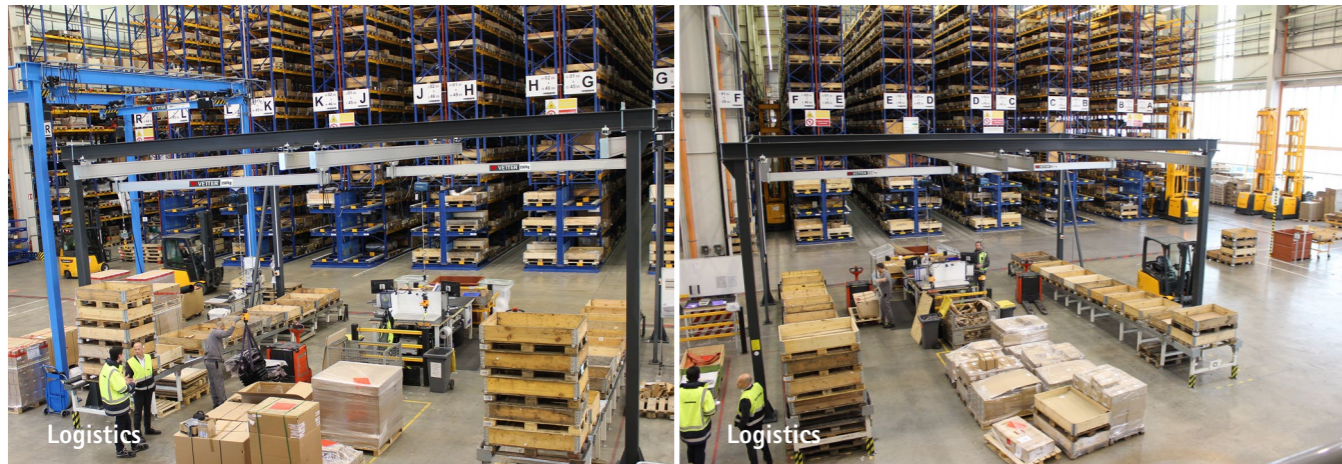
## REFERENCES

from the window construction, logistics, steel and machine construction industry



Steel construction

Window construction



Logistics

Logistics



Window construction

Machine construction

Your contact details

E-Mail: [info@vettercranes.com](mailto:info@vettercranes.com)

Fax +49 271 3502-299

### ENQUIRY FORM FOR ERGOLINE® CRANE SYSTEMS

Crane bridges (number x capacity)  
 \_\_\_\_\_ x \_\_\_\_\_ kg | \_\_\_\_\_ x \_\_\_\_\_ kg

#### Local conditions

Clear length \_\_\_\_\_ mm  
 Clear width \_\_\_\_\_ mm  
 Clear room height \_\_\_\_\_ mm  
 Concrete thickness \_\_\_\_\_ mm  
 Screed thickness \_\_\_\_\_ mm  
 Expansion joint in floor:  No  Yes (Please provide a sketch)

#### Diagonal supports

Position of supports as recommended by manufacturer  
 Position of supports deviates from manufacturer's recommendation (Please enter in sketch)

#### Features

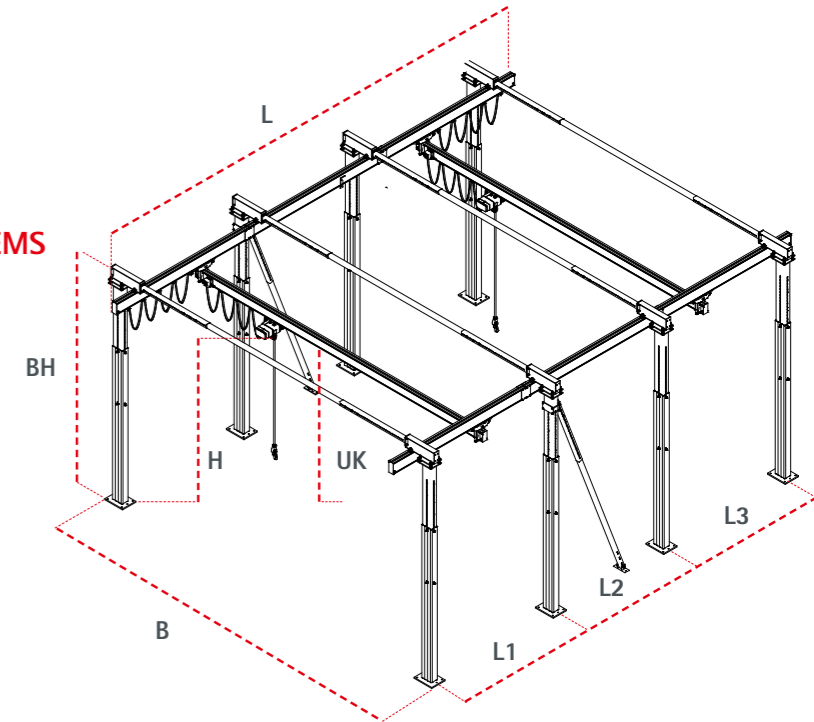
Complete electric basic equipment for chain hoist  
 Please include chain hoist in quote  
 Other energy supply: \_\_\_\_\_  
 \_\_\_\_\_  
 Distance maintaining between crane bridges (if more than one crane bridge)  
 \_\_\_\_\_

#### Requested dimensions of crane system

Requested overall length (L) \_\_\_\_\_ mm  
 Requested overall width (B) \_\_\_\_\_ mm  
 Requested clearance of gantry (UK)\* \_\_\_\_\_ mm  
 Requested total height (BH)\* \_\_\_\_\_ mm  
 Requested lifting height (H)\* \_\_\_\_\_ mm

\* Only one parameter required

\*\* Please provide dimensional drawing if hoist is provided by others



#### Distance of gantry supports/number of fields

Support rows as recommended by manufacturer  
 Support rows according to local conditions (Please enter in sketch)

#### Assembly

By customer  
 Please quote (environment/assembly conditions (e.g. environment without limitations, forklift trucks etc., ...))

#### Approval

By customer  Please quote

Remarks/notes: \_\_\_\_\_

\_\_\_\_\_  
 \_\_\_\_\_  
 \_\_\_\_\_  
 \_\_\_\_\_  
 \_\_\_\_\_



ADMINISTRATION

VETTER Krantechnik GmbH  
Kalteiche-Ring 22  
35708 Haiger  
Germany

PRODUCTION

VETTER Krantechnik GmbH  
Kalteiche-Ring 13-15  
35708 Haiger  
Germany



T: +49 2773 91601-0  
F: +49 2773 91601-860  
E: info@vettercranes.com